

Name: <u>22-4 Standard Setup</u>		Date: _____	Event: _____
City: _____		State: _____	
Track: _____			
Track Conditions	<input type="checkbox"/> Indoor <input type="checkbox"/> Tight <input type="checkbox"/> Smooth <input type="checkbox"/> Hard Packed <input type="checkbox"/> Blue Groove	<input type="checkbox"/> Wet <input type="checkbox"/> Grass <input type="checkbox"/> Low Bite <input type="checkbox"/> High Bite	<input type="checkbox"/> Outdoor <input type="checkbox"/> Open <input type="checkbox"/> Rough <input type="checkbox"/> Loose/Loamy <input type="checkbox"/> Dry <input type="checkbox"/> Dusty <input type="checkbox"/> Astro Turf <input type="checkbox"/> Med Bite <input type="checkbox"/> Other _____

Front Suspension

Toe: 0°

Ride Height: 22mm

Camber: -1°

Caster: 10° 15° 20°

Sway Bar: None

Oil: 32.5 wt

Piston: 2 x 1.6mm

Spring: Standard Low Freq. Color: Black

Shock Limiters: 2mm

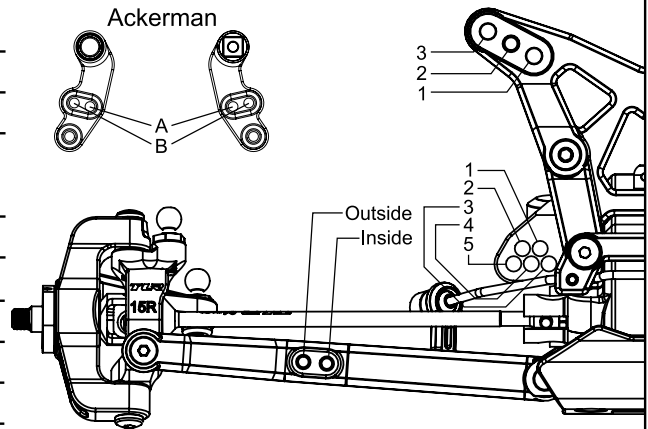
Shock Location: 2 - Inside

Bump Steer Ball Stud: Standard Low Mount

Bumper Steer Spacers: None

Camber Link: 4

Ackermann: A



Notes: _____

Rear Suspension

Toe: 3°

Anti-Squat: 3°

Roll Center: Low Roll Center (LRC) High Roll Center (HRC)

Ride Height: 22mm

Camber: -1°

Rear Hub Spacing: Middle

Hex Width: Std.

Sway Bar: None

Oil: 32.5 wt

Piston: 2 x 1.7mm

Spring: Standard Low Freq. Color: Yellow

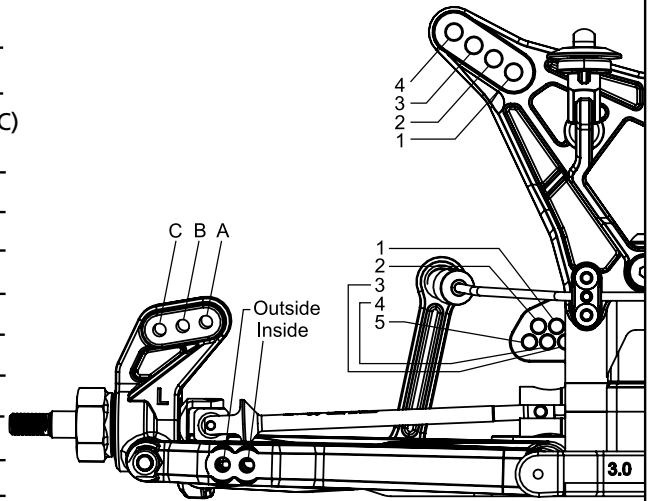
Shock Limiters: None

Camber Link: 4-B

Shock Locations: 3 - Inside

Wing/Wickerbill: _____

Battery Position: Back



Electronics

Radio: _____	Timing Advance: _____
Servo: _____	Throttle/Brake Expo: _____
ESC: _____	Servo Expo: _____
Initial Brake: _____	Throttle/Brake EPA: _____
Drag Brake: _____	Motor: _____
Throttle Profile: _____	Pinion: _____ Spur: _____
	Battery: _____

Tires	Compound	Insert	Additive
Front: _____	_____	_____	_____
Rear: _____	_____	_____	_____
Notes: _____			